

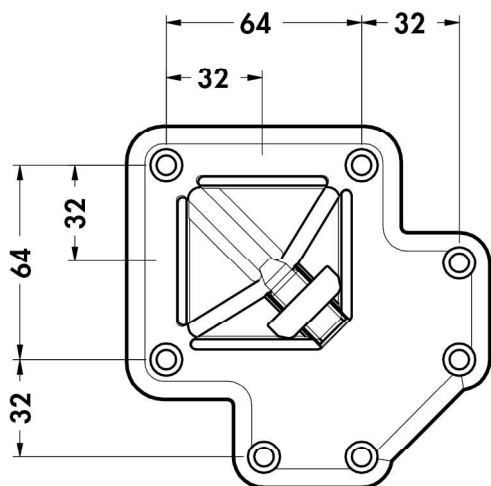
SQUARE TABLE LEGS 60X60



Code	Finishing	H (mm)	Box
TL051.002.001	Aluminium 1000righe	705	5 Set
TL051.001.005	Anodized Aluminium	705	5 Set
TL051.002.002	Bright Aluminium	705	5 Set
TL051.002.003	Chrome	705	5 Set
TL051.002.005	White	705	5 Set
TL051.002.006	Black	705	5 Set
TL051.002.007	Grey Ral 9006	705	5 Set

Adjustment: +10mm

TECHNICAL MEASURE OF MOUNTING PLATE



DETAILS



PACKAGING

1 Set composed by:
4 legs + 4 fixing plates + screws + allen key



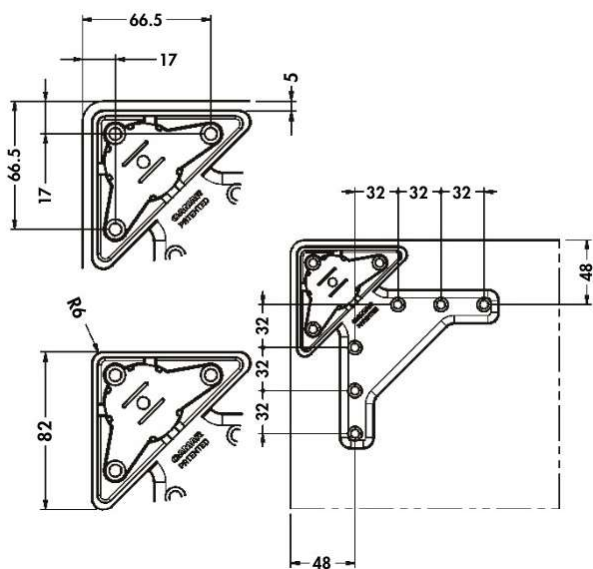
TRIANGULAR TABLE LEGS



Code	Finishing	H (mm)	Box
TL123.001.003	Aluminium 1000righe	705	3 Set
TL123.001.004	Anodized Aluminium	705	3 Set
TL123.001.005	Bright Aluminium	705	3 Set

Adjustment: +10mm

TECHNICAL MEASURE OF MOUNTING PLATE



DETAILS



PACKAGING

1 Set composed by:
4 legs + 4 fixing plates + screws + allen key

