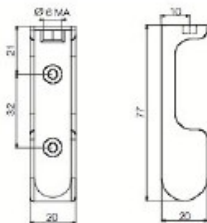


**WA061.001.003 - ALUMINIUM OVAL TUBE 30X15 THICK.1,0MM L=3000MM - ANODIZED ALUMINIUM**

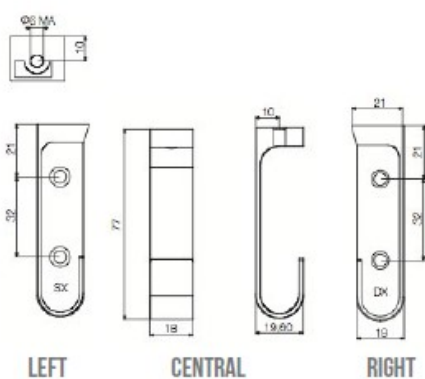


**ZAMAK TUBE SUPPORT**



| Code          | Tube (mm) | Finishing     | Box |
|---------------|-----------|---------------|-----|
| WA061.002.124 | 30x15     | Chrome        | 200 |
| WA061.002.125 | 30x15     | Grey Ral 9006 | 200 |

**ZAMAK TUBE SUPPORT**



| Code          | Side            | Finishing     | Box |
|---------------|-----------------|---------------|-----|
| WA061.002.117 | Left Support    | Chrome        | 75  |
| WA061.002.118 | Left Support    | Grey Ral 9006 | 75  |
| WA061.002.121 | Central Support | Chrome        | 200 |
| WA061.002.122 | Central Support | Grey Ral 9006 | 200 |
| WA061.002.114 | Right Support   | Chrome        | 75  |
| WA061.002.115 | Right Support   | Grey Ral 9006 | 75  |